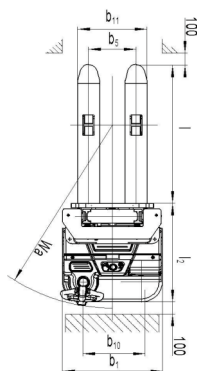
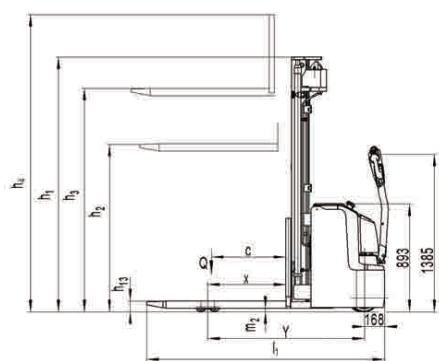


Designation	Lowered mast height h1(mm)	Free Lift height h2(mm)	Lift height h3(mm)	Extended mast height h4(mm)	Lift+fork height h3+h13(mm)
PS 12L					
Two stage mast	1958	--	2830	3380	2920
	2108	--	3130	3680	3220
	2308	--	3530	4080	3620
Two stage mast FFL (Full-Free-Lift)	1958	1410	2830	3380	2920
	2108	1560	3130	3680	3220
	2308	1760	3530	4080	3620
PS 16L					
Two stage mast	1958	--	2830	3380	2920
	2108	--	3130	3680	3220
	2308	--	3530	4080	3620
Two stage mast FFL (Full-Free-Lift)	1958	1410	2830	3380	2920
	2108	1560	3130	3680	3220
	2308	1760	3530	4080	3620
Three stage mast	2008	--	4230	4780	4320
	2108	--	4530	5080	4620
Three stage mast FFL (Full-Free-Lift)	1908	1320	3930	4480	4020
	2008	1420	4230	4780	4320
	2108	1520	4530	5080	4620
	2343	1756	5230	5780	5320
PS 20L					
Two stage mast	2078	--	2830	3500	2920
	2228	--	3130	3800	3220
	2428	--	3530	4200	3620
Two stage mast FFL (Full-Free-Lift)	1978	1310	2630	3300	2720
	2078	1410	2830	3500	2920
	2228	1560	3130	3800	3220
	2428	1760	3530	4200	3620
Three stage mast	2128	--	4230	4900	4320
	2228	--	4530	5200	4620
Three stage mast FFL (Full-Free-Lift)	1978	1310	3930	4600	4020
	2128	1420	4230	4900	4320
	2228	1520	4530	5200	4620



Type sheet for industrial truck acc. to VDI 2198 116G=2.2LB 11NCH=25.4MM						
Distinguishing mark	1.2	Manufacturer's type designation		PS 12L(3600)	PS 16L(4600)	PS 20L(4600)
	1.3	Power (battery /diesel, petrol, gas, manual)			Battery	
	1.4	Operator type			Pedestrian	
	1.5	Load Capacity / rated load		1.2	1.6	2.0
	1.6	Load centre distance	Q(t)		600	
	1.8	Load distance ,centre of drive axle to fork	c(mm)		647	
Weight	1.9	Wheelbase	x(mm)	1248	1293	1429
	2.1	Service weight	Y(mm)			
	2.2	Axle loading, laden front/rear	kg	1007	1340	1579
Tires, chassis	2.3	Axle loading, unladen front/rear	kg	684/1523	930/2010	1000/2579
	3.1	Tires	kg	610/397	850/490	900/679
Dimensions	3.2	Tire size, front	kg			
	3.3	Tire size, rear	kg			
	3.4	Additional wheels(dimensions)	kg			
	3.5	Wheels, number front/rear(x=driven wheels)	kg			
	3.6	Track, front	kg			
	3.7	Track, rear	kg			
	4.2	Lowered mast height	kg			
Performance data	4.3	Free Lift height	kg			
	4.4	Lift height	kg			
	4.5	Extended mast height	kg			
	4.9	Height of tiller in drive position min./ max.	kg			
	4.15	Height, lowered t	kg			
	4.19	Overall length	kg			
	4.20	Length to face of forks	kg			
	4.21	Overall width	kg			
	4.22	Fork dimensions	kg			
	4.25	Distance between fork-arms	kg			
	4.32	Ground clearance, centre of wheelbase	kg			
	4.33	Aisle width for pallets 1000X1200 crossways	kg			
	4.34	Aisle width for pallets 800X1200 lengthways	kg			
4.35	Turning radius	kg				
Electric-engine	5.1	Travel speed, laden/unladen	kg			
	5.2	Lift speed, laden/unladen	kg			
	5.3	Lowering speed, laden/unladen	kg			
	5.8	Max. gradeability, laden/unladen	kg			
	5.10	Service brake	kg			
Additional data	6.1	Drive motor rating S2 60min	kg			
	6.2	Lift motor rating at S3 4.5%	kg			
	6.3	Battery acc. to DIN 43531/35/36 A, B, C, no	kg			
	6.4	Battery voltage, nominal capacity K5	kg			
	6.5	Battery weight	kg			
	6.6	Energy consumption acc. to VDI cycle	kg			
Performance data	5.1	Travel speed, laden/unladen	kg			
	5.2	Lift speed, laden/unladen	kg			
Electric-engine	5.3	Lowering speed, laden/unladen	kg			
	5.8	Max. gradeability, laden/unladen	kg			
	5.10	Service brake	kg			
	6.1	Drive motor rating S2 60min	kg			
	6.2	Lift motor rating at S3 4.5%	kg			
	6.3	Battery acc. to DIN 43531/35/36 A, B, C, no	kg			
Additional data	6.4	Battery voltage, nominal capacity K5	kg			
	6.5	Battery weight	kg			
	6.6	Energy consumption acc. to VDI cycle	kg			
	8.1	Type of drive control	kg			
	8.4	Sound level at driver's ear acc. to EN 12053	kg			
				dB(A)	A.C.-speed control <70	